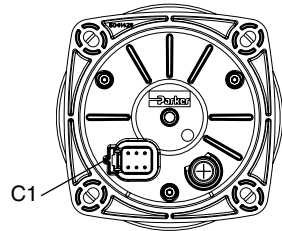


Wiring diagram

NOTICE

Connector must be properly installed to meet environmental specification.

- Sealing plugs must be inserted in all unused pin positions.



C1

Pin Pos.	Signal/Function	C1	Pin Pos.	Signal/Function
6	POWER (+5Vdc)		1	GND
5	OUT-XB X secondary signal 0.5Vdc-4.5Vdc		2	OUT-XA X primary signal 0.5Vdc-4.5Vdc
4	OUT-YB Y secondary signal 0.5Vdc-4.5Vdc		3	OUT-YA Y primary signal 0.5Vdc-4.5Vdc

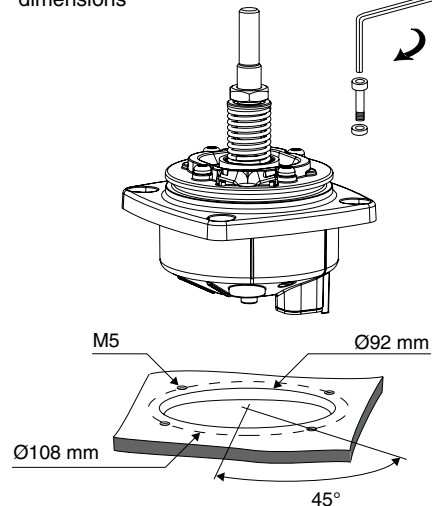
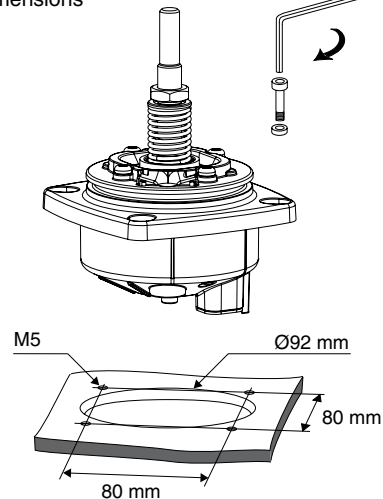
Mating connector kit: 20072408

Mounting hole dimensions

Tt=1 Nm

Alternate hole dimensions

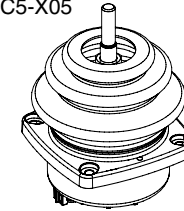
Tt=1 Nm



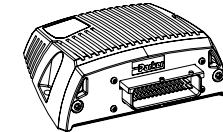
Installation IQAN-LC5-X05

Publ.no: HY33-8402-IS/UK
Ed. 02/2013

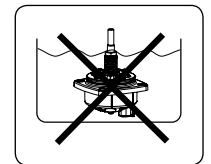
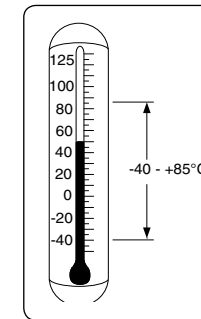
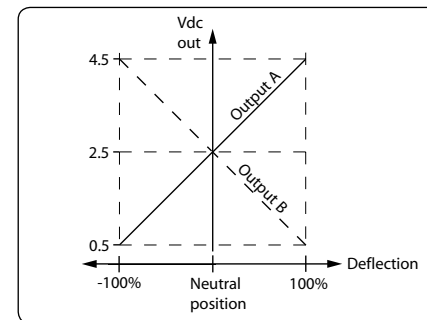
IQAN-LC5-X05



master module,
expansion unit or
standalone control



Dual sensor output each axis



WARNING

FAILURE OR IMPROPER SELECTION OR IMPROPER USE OF THE PRODUCTS AND/OR SYSTEMS DESCRIBED HEREIN OR RELATED ITEMS CAN CAUSE DEATH, PERSONAL INJURY AND PROPERTY DAMAGE.

This document and other information from Parker Hannifin Corporation, its subsidiaries and authorized distributors provide product and/or system options for further investigation by users having technical expertise. It is important that you analyze all aspects of your application, including consequences of any failure, and review the information concerning the product or system in the current product catalogue. Due to the variety of operating conditions and applications for these products or systems, the user, through its own analysis and testing, is solely responsible for making the final selection of the products and systems and assuring that all performance, safety and warning requirements of the application are met.

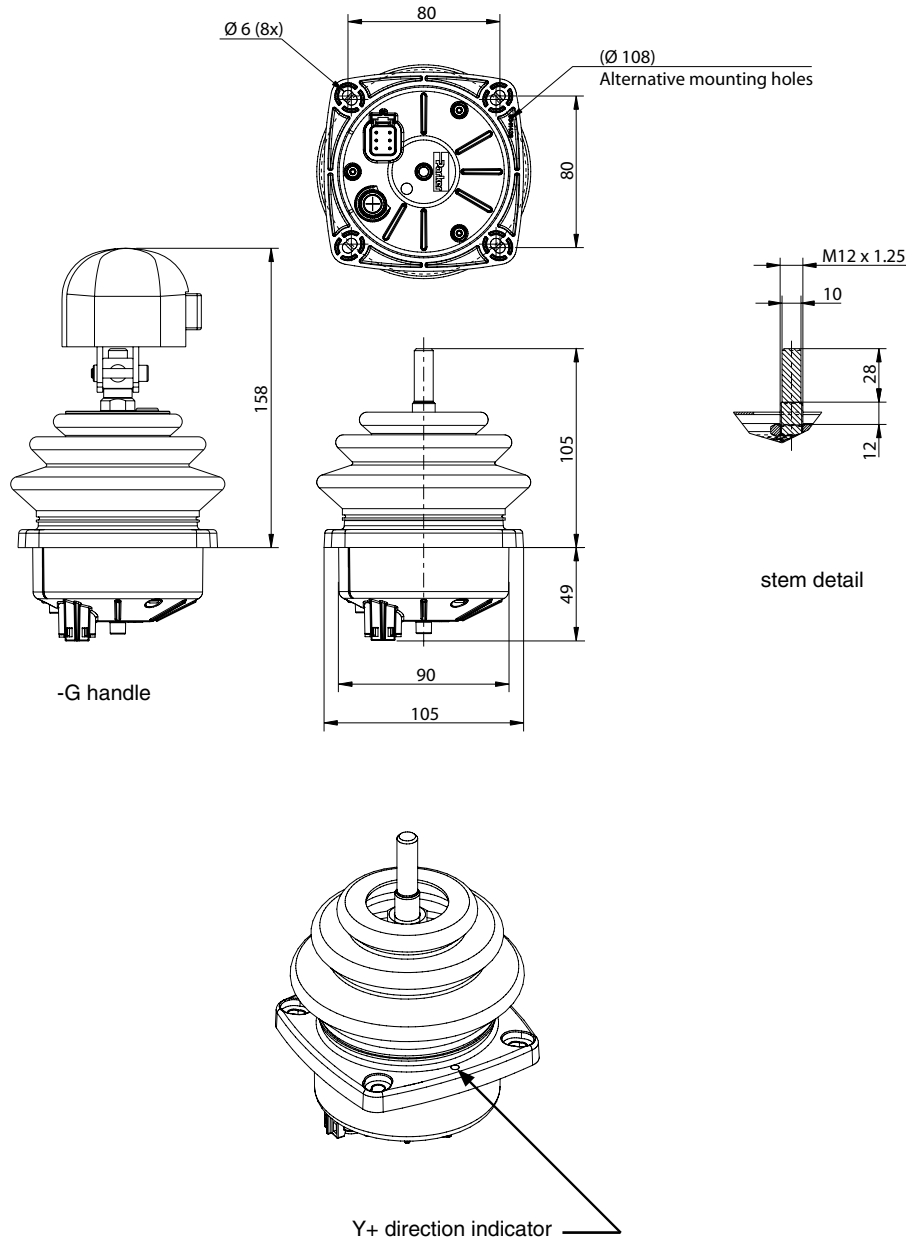
The products described herein, including without limitation, product features, specifications, designs, availability and pricing, are subject to change by Parker Hannifin Corporation and its subsidiaries at any time without notice.

For further information see:
HY33-8402-IB/UK Instructions IQAN-LC5-X05

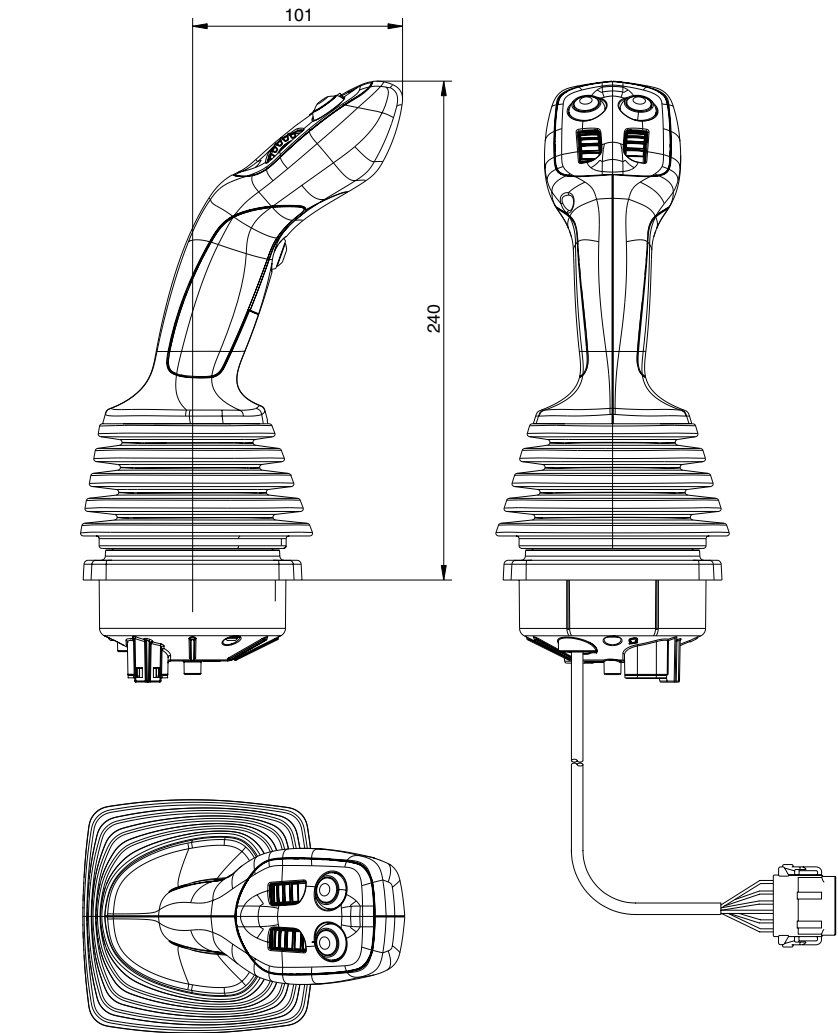


Eng.no: M5036039A
Rev. C

IQAN-LC5-X05



IQAN-LC5-X05



unit = mm

! NOTICE

Joystick handles (e.g. types -G, -MP,) have a short cable with connector for handle functions.

- See Instruction book for pin assignments.